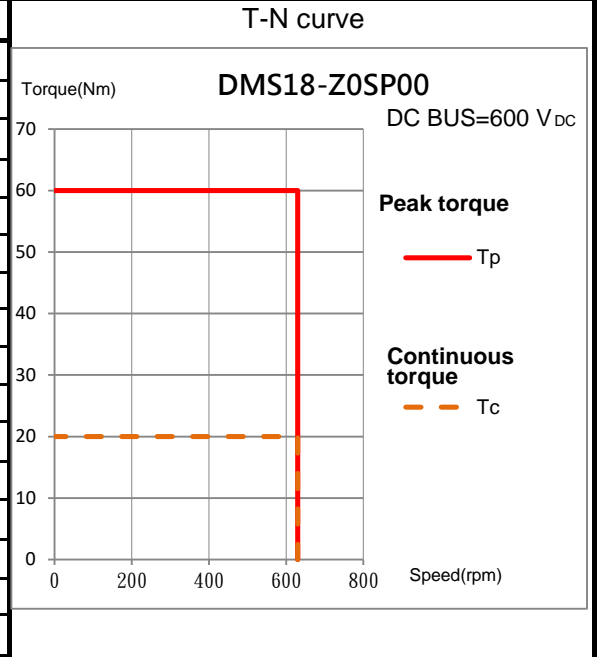
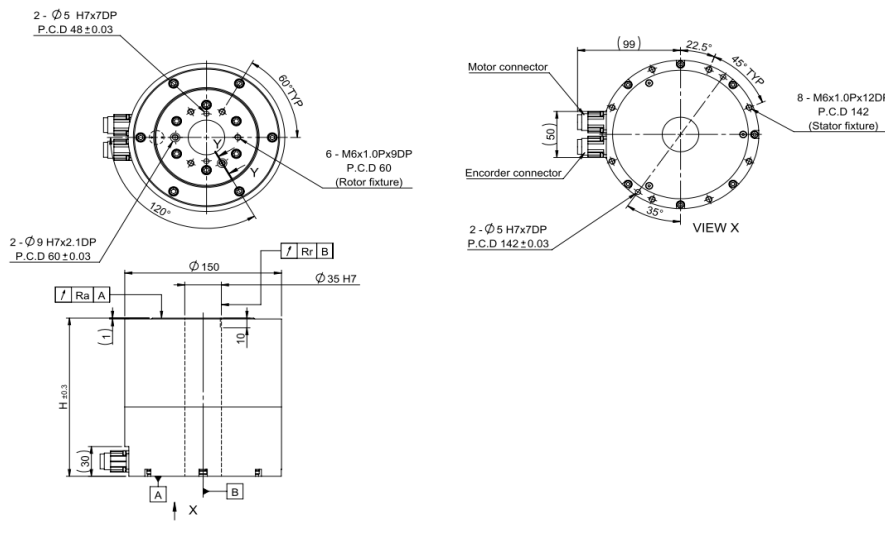
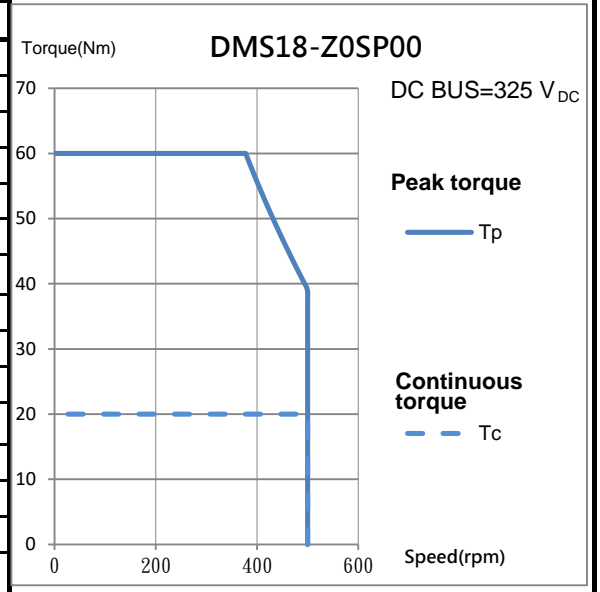


DMS18-Z0SP00 Direct Drive Motor Spec No: DB100288-V2.03

Electrical specifications			
Winding code : LA	Symbol	Unit	
Continuous torque	T_c	Nm	20
Continuous current	I_c	A_{rms}	4
Peak torque(for 1sec.)	T_p	Nm	60
Peak current(for 1sec.)	I_p	A_{rms}	12
Torque constant	K_t	Nm/Arms	5
Electrical time constant	T_e	ms	4
Resistance (line to line at 25°C)	R_{25}	Ω	6.5
Inductance (line to line)	L	mH	26
Number of poles			22
Back emf constant (line to line)	K_v	Vrms/rad/s	2.4
Motor constant (at 25°C)	K_m	Nm/ \sqrt{W}	1.6
Thermal resistance	R_{th}	K/W	0.48
Thermal sensor			PTC 100
Max. DC BUS		V_{DC}	600



Mechanical specifications			
	Symbol	Unit	
Inertia of rotor	J	kgm^2	0.0075
Mass of motor	M_m	kg	12.4
Max. axial load	F_a	N	3700
Max. moment load	M	Nm	60
Max. speed(at 600VDC)		rpm	630
Max. speed(at 325VDC)		rpm	500
Resolution			25bit(EnDat2.2)
Repeatability		arc-sec	± 3
Accuracy		arc-sec	± 30
Axial run-out	R_a	μm	30
Radial run-out	R_r	μm	30
Motor dimensions	DxH	mm	$\phi 150 \times 200$



Except dimensions, all the specifications in the table are in $\pm 10\%$ of tolerance
This drawing is only for reference, detail dimensions please refer to approval drawing.

Version: 2.03
Date: 20241227